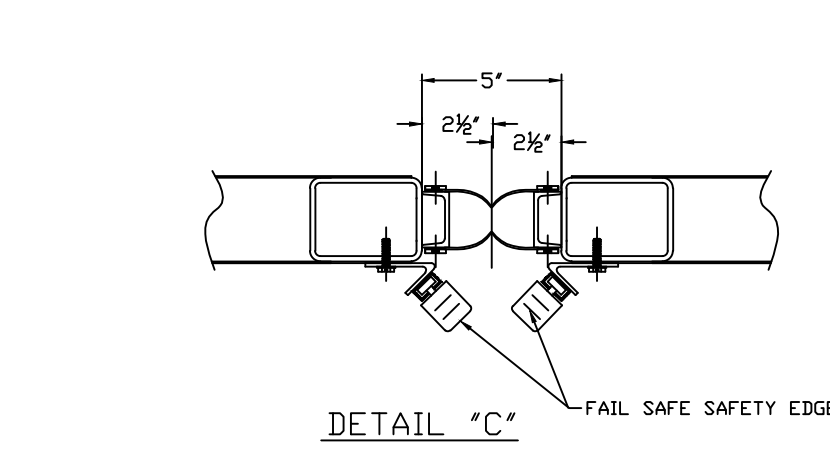
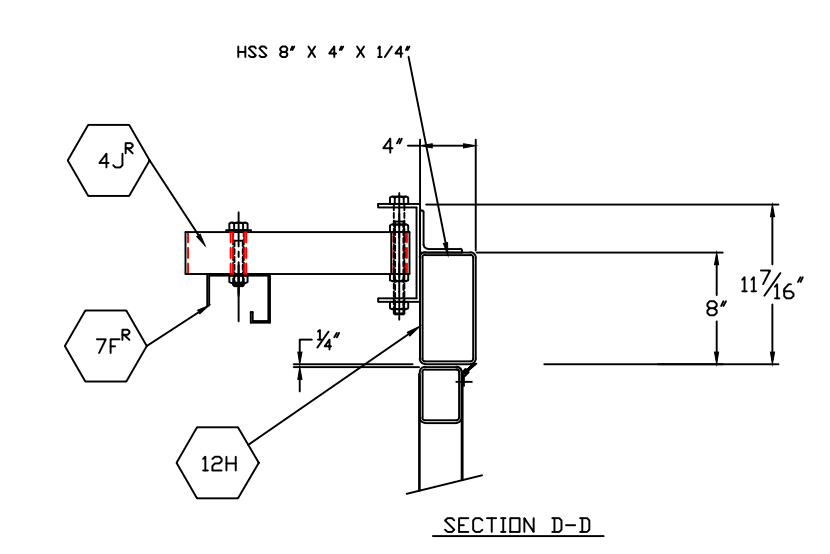
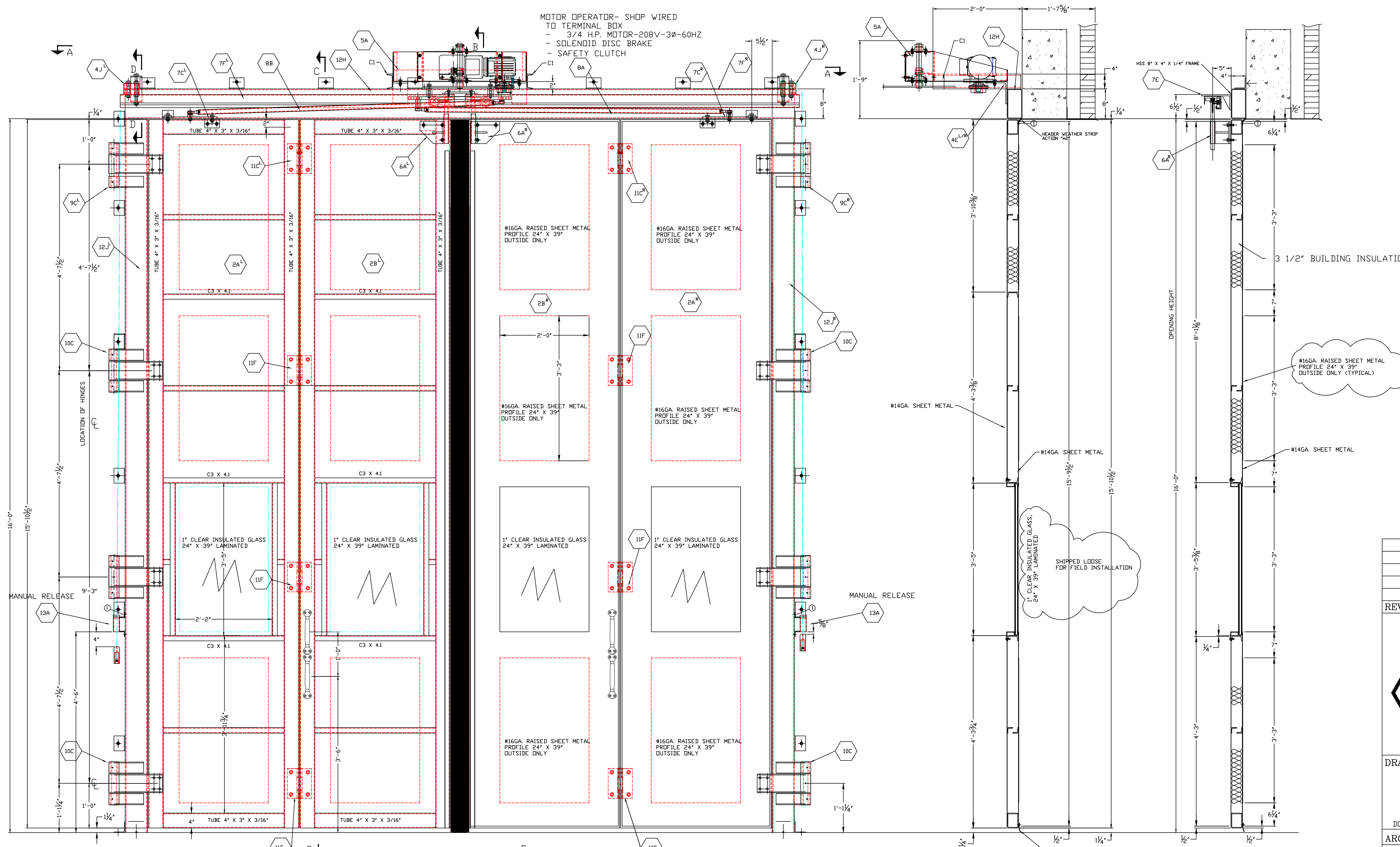
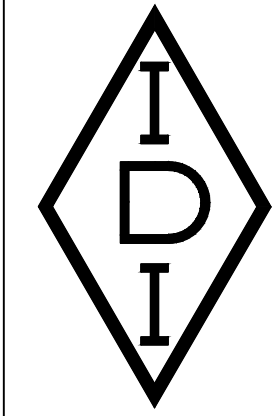


BILL OF MATERIAL				
ITEM		JOB# 16-ID-2221		SHEET# A1
TOTAL QTY.	UNIT	MARK	DESCRIPTION	REMARKS
3/3	1/1	1A L/R	PANELS W/ HINGES-	
3/3	1/1	2A L/R	PANELS W/HINGES -	
3/3	1/1	4J R/L	TRACK SUPPORT ASSEMBLY	
3/3	1/1	4E R/L	OPERATOR SUPPORTS	
3/3	1/1	5A	OPERATOR ASSEMBLY	
3/3	1/1	6A R/L	ROLLER ASSEMBLY	
3/3	1/1	7C R/L	CONTROL ARM ASSEMBLY	
3/3	1/1	7E	TRACK SUPPORT ASSEMBLY	
3/3	1/1	7F R/L	TRACK	
3/3	1/1	8A	DRIVE ARM ASSEMBLY	
3/3	1/1	8B	DRIVE ARM ASSEMBLY	
3/3	1/1	9C R/L	JAMB-HINGE ASS'Y W/THRUST BEARING	
12	4	10C	JAMB-HINGE ASS'Y	
3/3	1/1	11C R/L	MID-HINGE ASS'Y	
12	4	11F	MID-HINGE ASS'Y	
3/3	1/1	12H L/R	DOOR JAMB	
3/3	1/1	12H	DOOR HEADER	
6	2	M1	1' BRUSHACTION#B0768-00-W & 1'-45" RETAINER#A0092-MI-W X 16'-0"	
9	1	M2	1' BRUSHACTION#B0768-00-W & 1'-45" RETAINER#A0092-MI-W X 14'-0"	
6	2	C1	C4 X 5.4 X 2'-3"	
12	4	M1	1"THK INSUL. (1/4"X1/2"X1/4")LAMINATED	GLASS 25 1/2" X 40 1/2"
12	4	14C	SASH ASSEMBLY	
24	8	M3	NATIONAL GUARD SELF ADHESIVE GASKET	
			TRIPLE SMOKE SEAL #5075B X 7'-0"	
150	50	(1)	1/4"-14 X 5/8"LG. (S.T.S.) (S.D.S.) PLATED	
6	2	13A	HAND RELEASE CABLE GUIDE	
3	1		FIELD WIRING NOT IN I.D.I. CONTRACT	
			CONTROL PANEL BY I.D.I.	
			INSTALLATION NOT IN I.D.I. CONTRACT	

MOTOR OPERATOR- SHOP WIRED TO TERMINAL BOX
 - 3/4 H.P. MOTOR-208V-3Ø-60HZ
 - SOLENOID DISC BRAKE
 - SAFETY CLUTCH



PAINT NOTE:
 (1) CLEAN SURFACES THOROUGHLY
 (2) APPLY ONE COAT OF RECOATABLE WATERBASED TILE-CLAD EPOXY PRIMER SERIES S.W. #B73A200 COLD GRAY SERIES S.W. #B73V200 HARDNER
 (3) ALLOW TIME FOR DRYING
 (4) FINISH PAINT: POLYURETHANE, COLOR MUST BE PICKED BY OWNER

TO FIELD	07/14/16	RB	TO SHOP
FOR APPROVAL - E MAILED	4/26/16	RB	
REV	DATE	BY	DESCRIPTION
INTERNATIONAL DOOR, INC. (734) 459-3000			
		8001 Ronda Dr. Canton, Michigan 48187 PROJECT:	
CITY OF MIDLAND FIRE STATION 6 301 TRADEWINDS BOULEVARD MIDLAND, TEXAS 79707			
DRAWING TITLE: GENERAL ARRANGEMENT FOR FOUR FOLD DOORS ELECTRIC OPERATED			
DOOR# 134A, 134B, 134C		OPENING SIZE 14'-0" x 16'-0"	
ARCH. PARKHILL SMITH & COOPER			
CONTR. OVERHEAD DOOR CO. OF PERMIAN BASIN			
DRAWN: RB	DATE 4/25/16	JOB NO. 16-ID-2221	
CHECKED: DS	CUSTOMER NO.	SHEET A1 OF	
APPROVED: DS			

INTERIOR ELEVATION
 (3) REQ'D - FOUR FOLD DOOR (AS SHOWN)

This drawing, including principle of design, is the property of International Door, Inc. It must not be reproduced in any manner nor submitted to outside parties for examination without our consent. It shall be used only as a means of reference to work designed or furnished by us, unless expressly authorized and consented to in writing by International Door, Incorporated, Canton, Michigan.