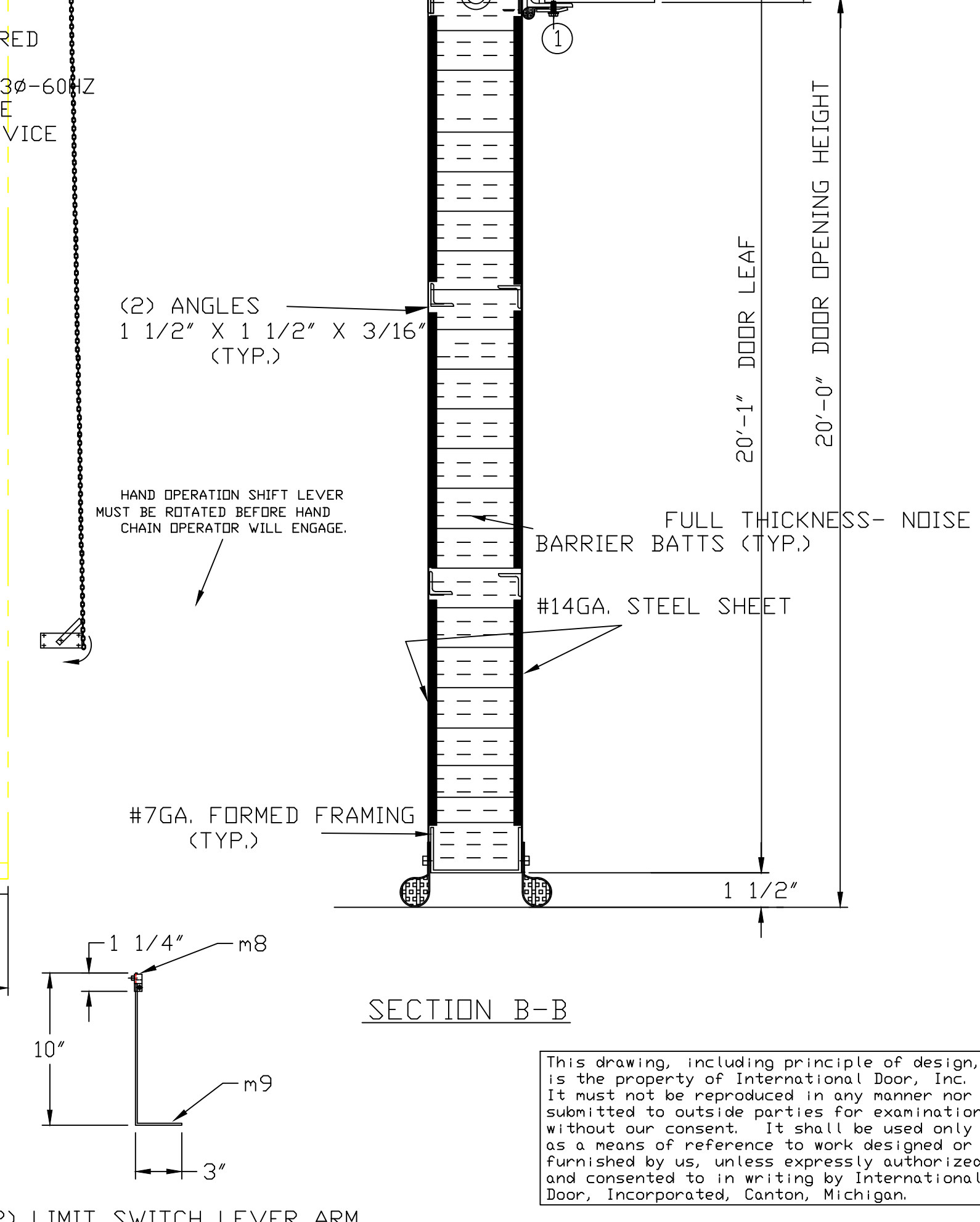
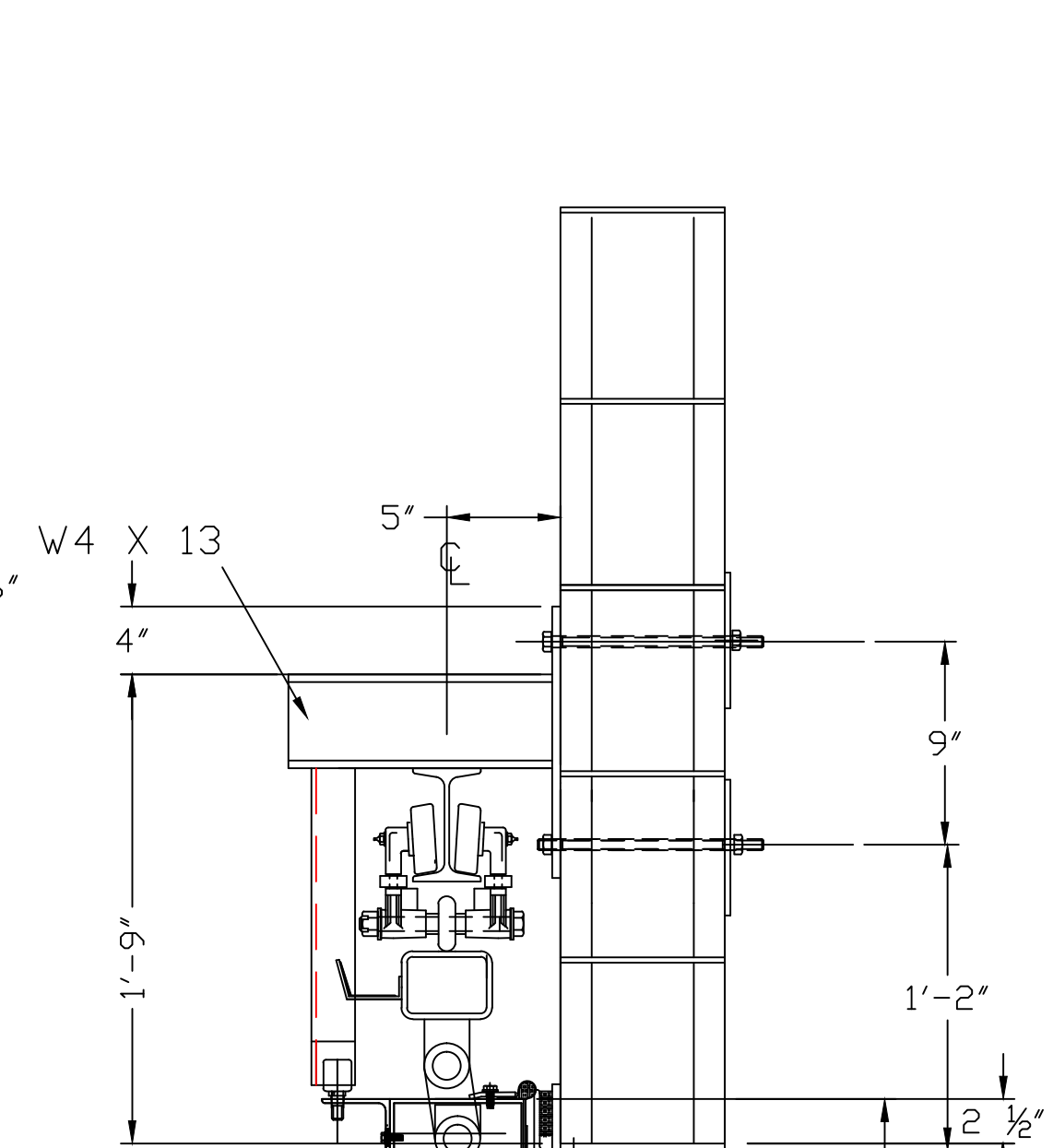
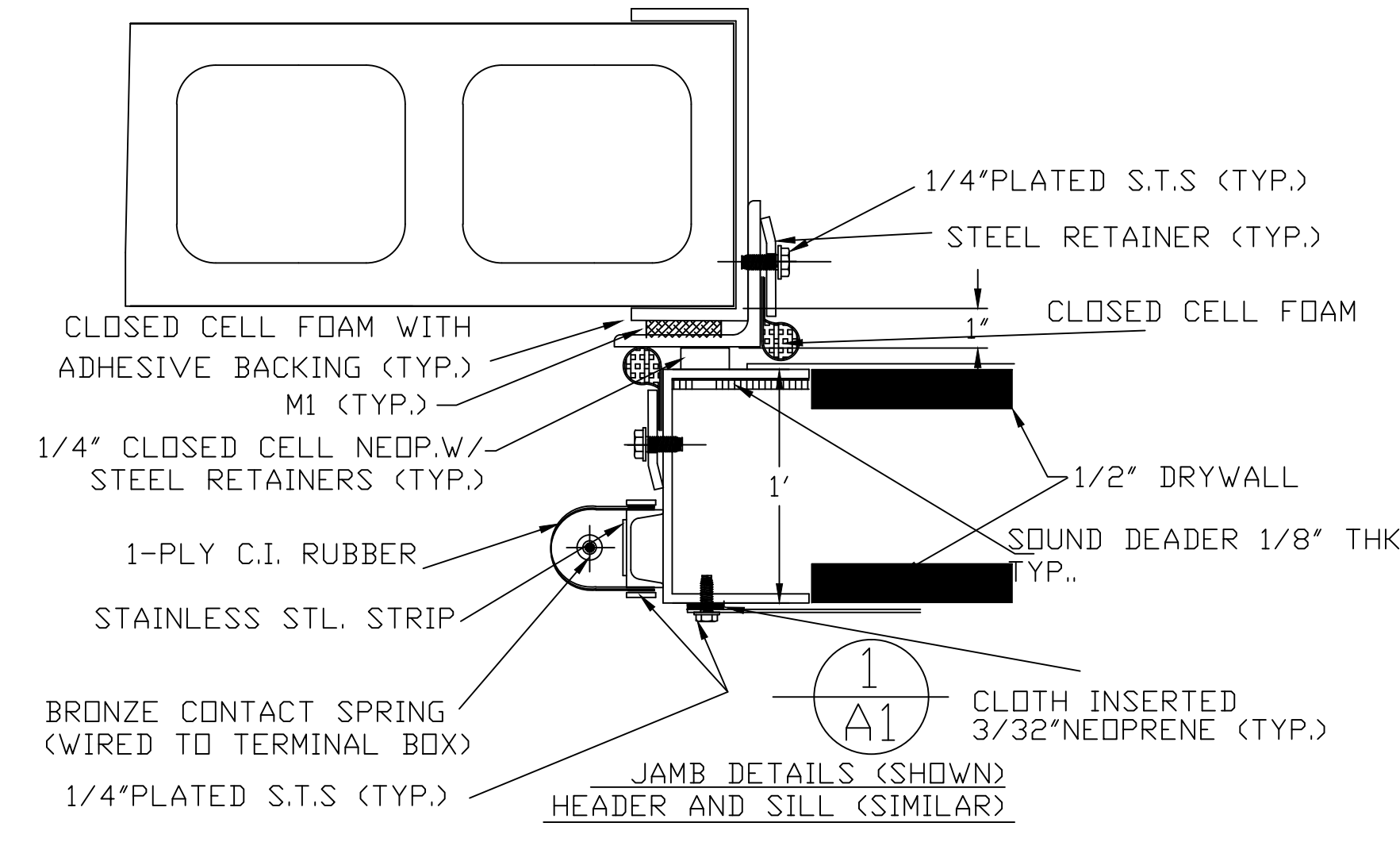


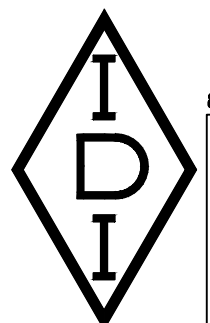
INTERIOR ELEVATION  
 HORIZONTAL SLIDE DOOR  
 (1) REQ'D AS (SHOWN)



SECTION B-B  
 (2) LIMIT SWITCH LEVER ARM  
 DO NOT SCALE DRAWING



PAINT NOTE:  
 (1) CLEAN SURFACES THOROUGHLY  
 (2) APPLY ONE COAT OF RECOATABLE STANDARD PRIMER SHERWIN WILLIAMS COLOR GRAY  
 (3) ALLOW TIME FOR DRYING

REV	DATE	BY	DESCRIPTION
			SENT FOR APPROVAL RET.
INTERNATIONAL DOOR, INC. (313) 458-3000			
			
8001 Roads Dr. Canton, Michigan 48107 PROJECT: MUSIC & DRAMATIC ARTS BUILDING BATON ROUGE, LOUISIANA			
DRAWING TITLE: (S.T.C. -53) GENERAL ARRANGEMENT FOR HORIZONTAL SLIDE DOOR - DOUBLE SKIN -INSULATED WITH ELECTRIC OPERATOR			
DOOR NUMBER:		OPENING SIZE: 10'-0" X 20'-0"	
ARCH.:			
DRAWN: RB		DATE:	JOB NO.:
CHECKED: DS		CUSTOMER NO.:	SHEET OF:
APPROVED: DS			